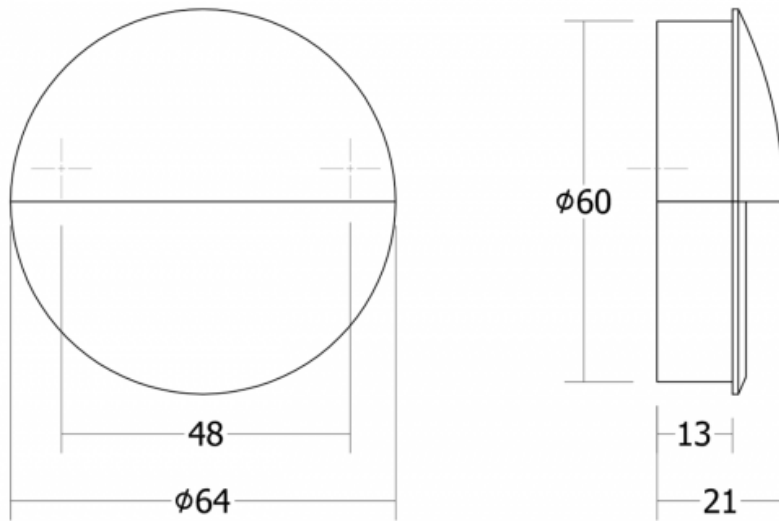


POIGNEE CUVETTE NEWPORT

FOSUN



<http://www.socomenal.com/bouton-cuvette-newport-p69968>



Tel : 03 88 78 96 96

Fax : 02 43 30 26 16

www.socomenal.com