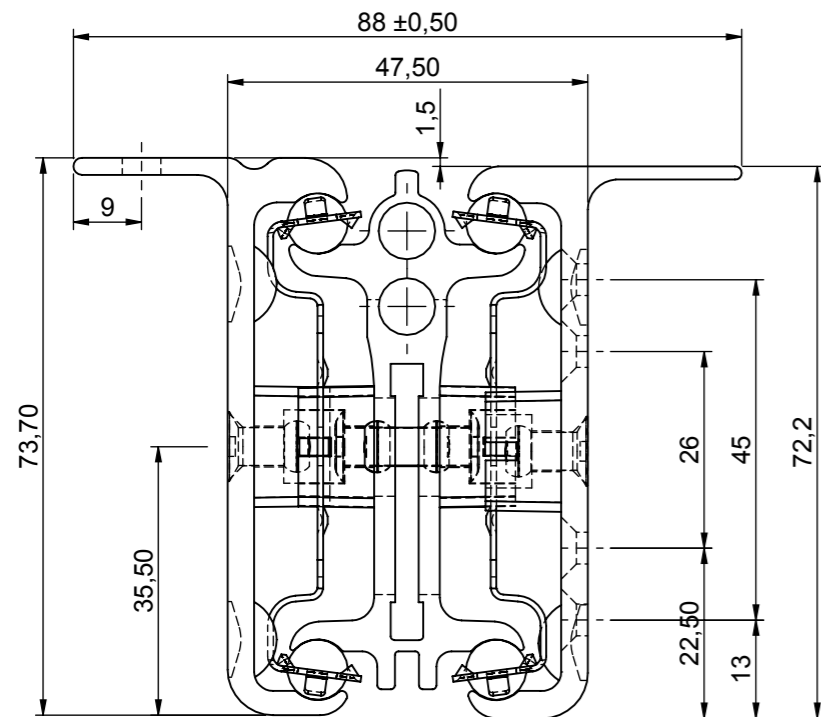
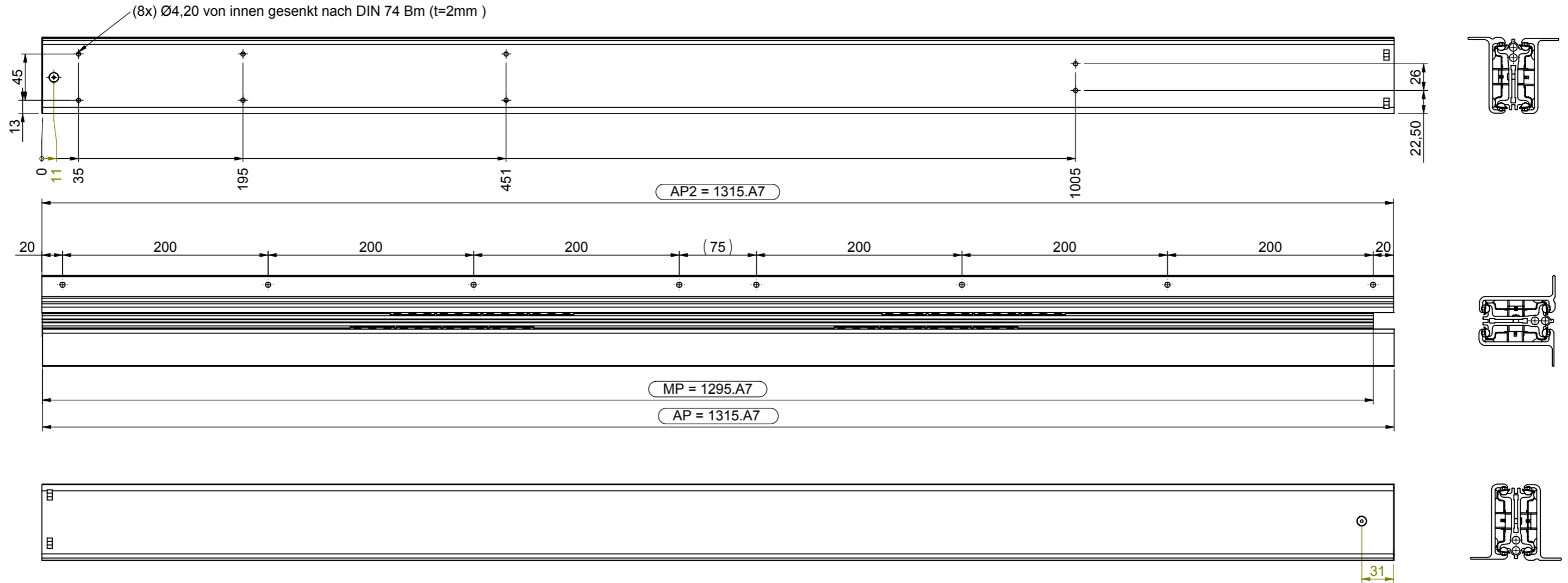
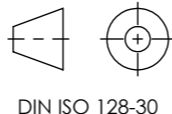



All property rights and rights to exploitation of copyright for this drawing data remain ours; they may not be made available to third parties without our consent.



metal ball-retainer: **4-4** segments
 opening: ca. **1152** mm

!! Attention !!
 Designed right mirror-imaged left

Index	Change		Date	Name	
 DIN ISO 128-30	Description: A7F/1315.A7/1295.A7/1315.A7/KK4-4/Elox.				
	Surface: Eloxal		Material: diverse	Weight: 5.06 kg	
	Name	Date	Company		
	Signed	Alawieh	31.05.2012	Q.C.A. Services	
Tested			Second Company:		
General tolerance: DIN ISO 2768 -1		Item No: 77131801	Scale 1:4	Page 1/ 6	A3