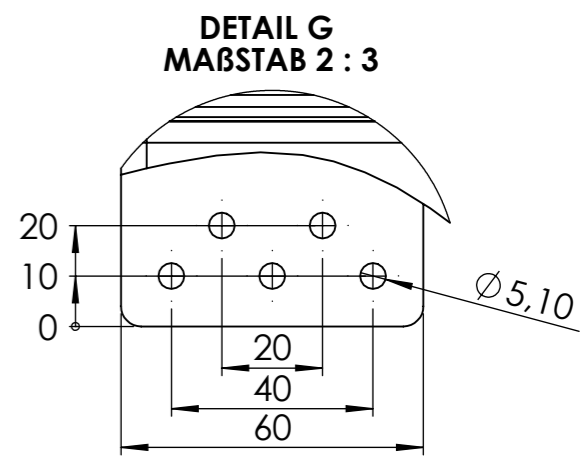
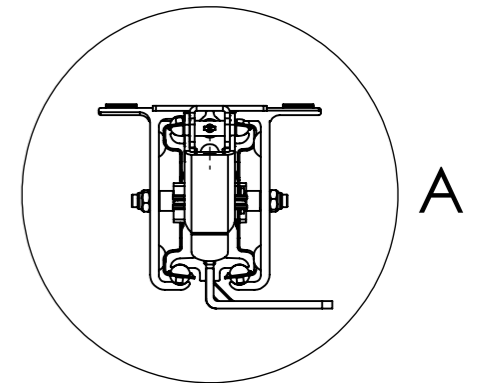
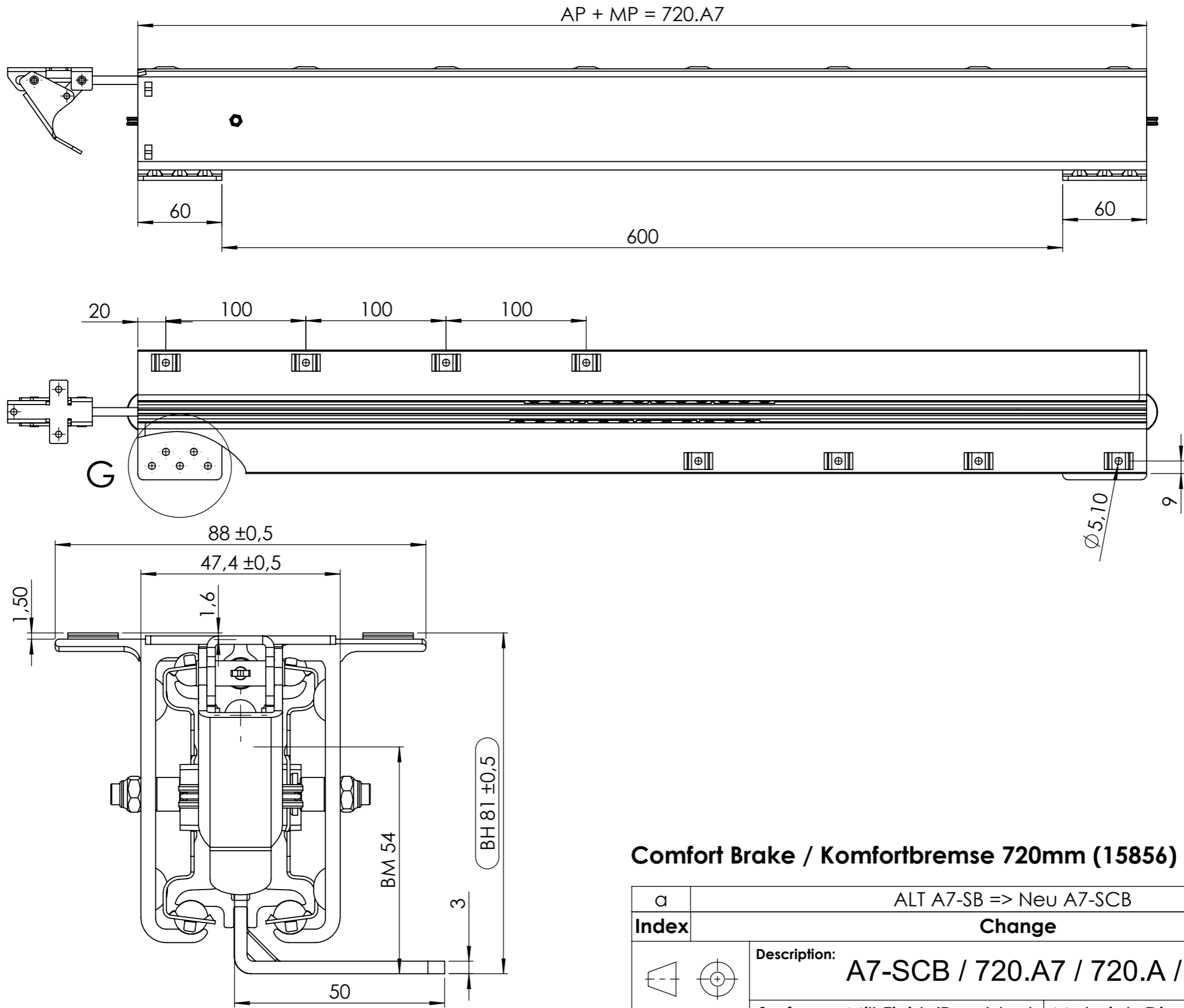


All property rights and rights to exploitation of copyright for this drawing data remain ours; they may not be made available to third parties without our consent.



DETAIL A
MABSTAB 1 : 1

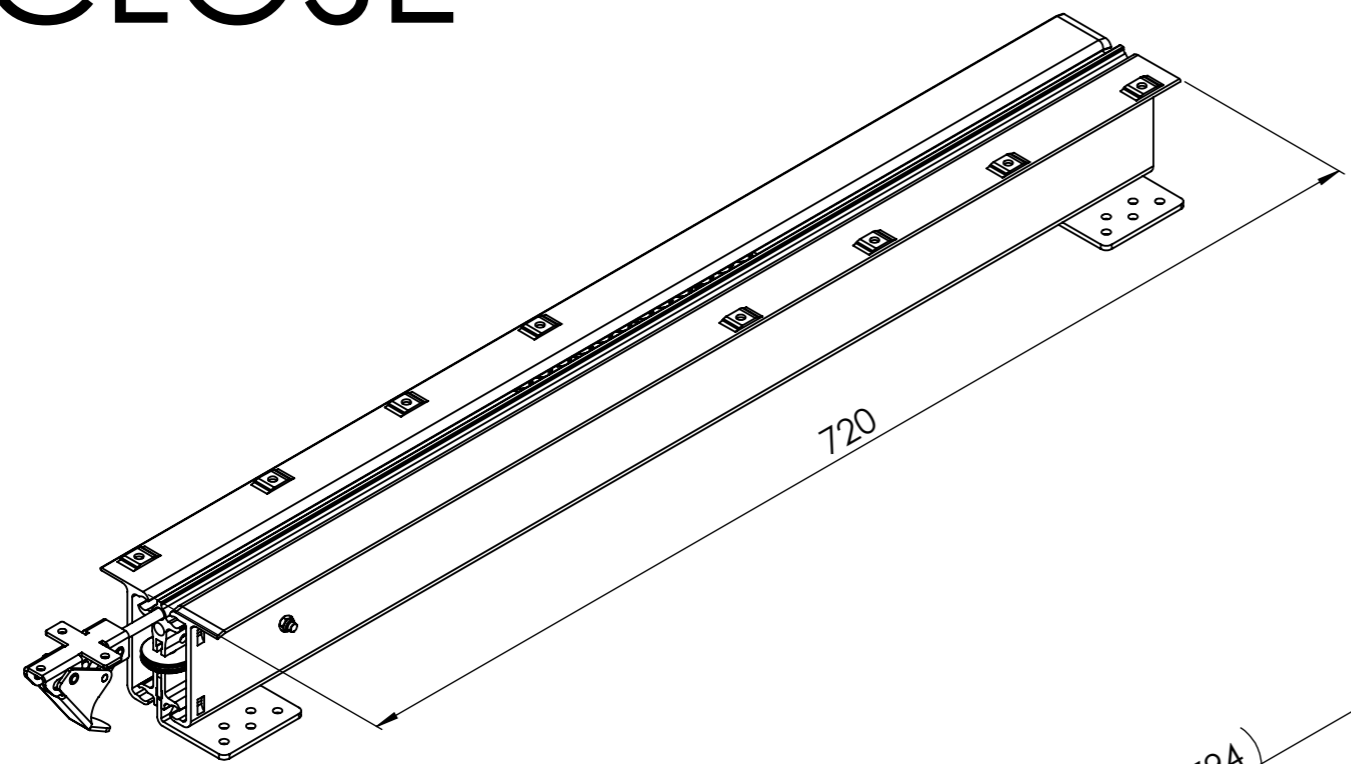
(GROSSE AUSSPARUNG)
metal ball-retainer: **4** segments
opening: ca. **1074** mm

Comfort Brake / Komfortbremse 720mm (15856)

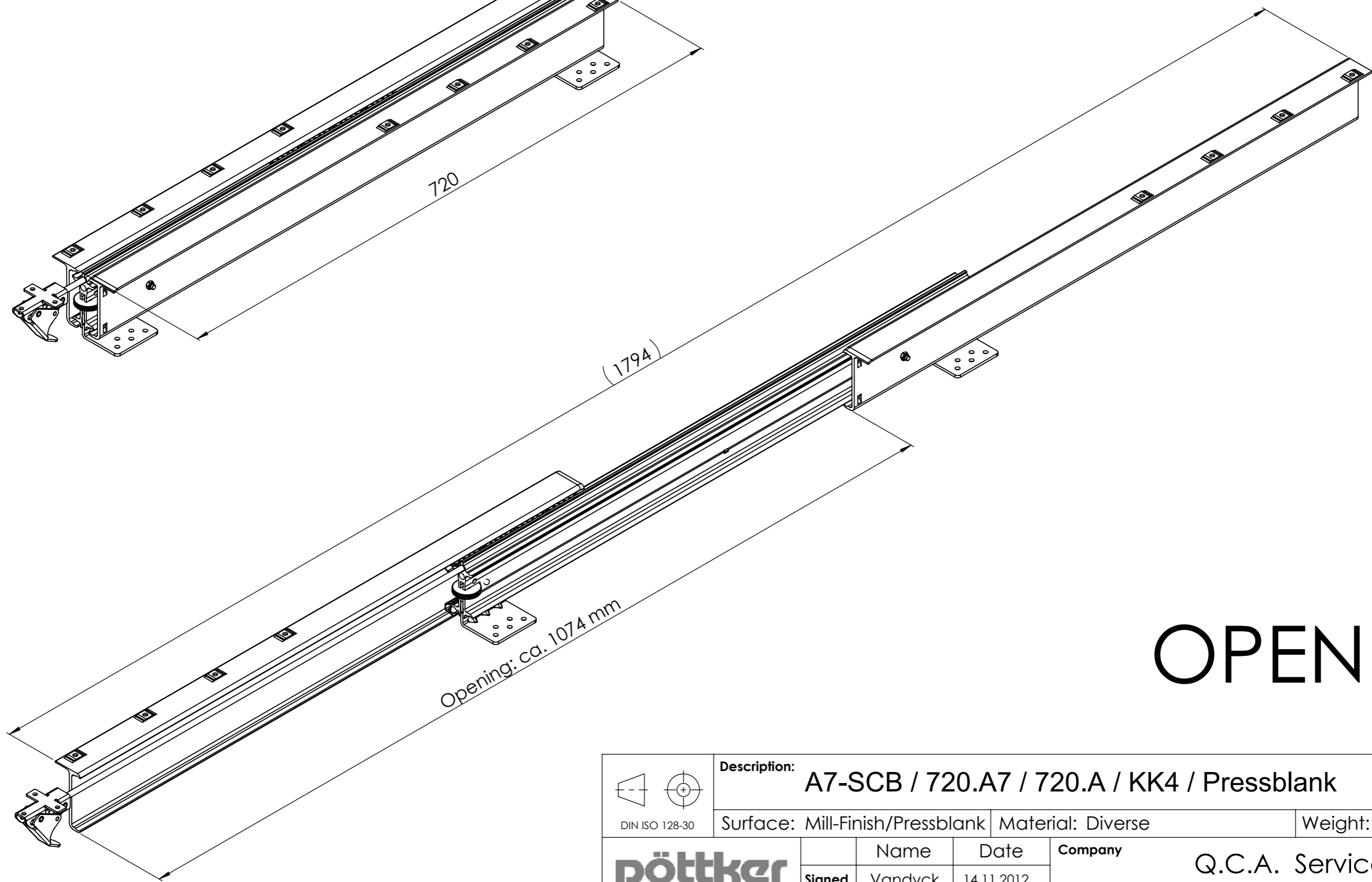
a	ALT A7-SB => Neu A7-SCB		23.11.2012	Carrera
Index	Change		Date	Name
	Description: A7-SCB / 720.A7 / 720.A / KK4 / Pressblank			
	Surface: Mill-Finish/Pressblank	Material: Diverse	Weight: kg	
	Name	Date	Company	
	Signed	Vandyck	14.11.2012	Q.C.A. Services
	Tested		Second Company:	
General tolerance: DIN ISO 2768 -1		Item No: 77072706	Scale 1:3	Page 1/3
				A3

All property rights and rights to exploitation of copyright for this drawing data remain ours; they may not be made available to third parties without our consent.

CLOSE

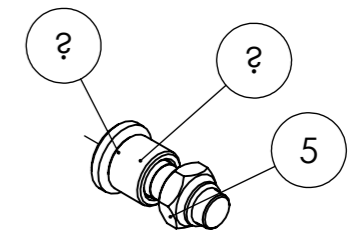


OPEN

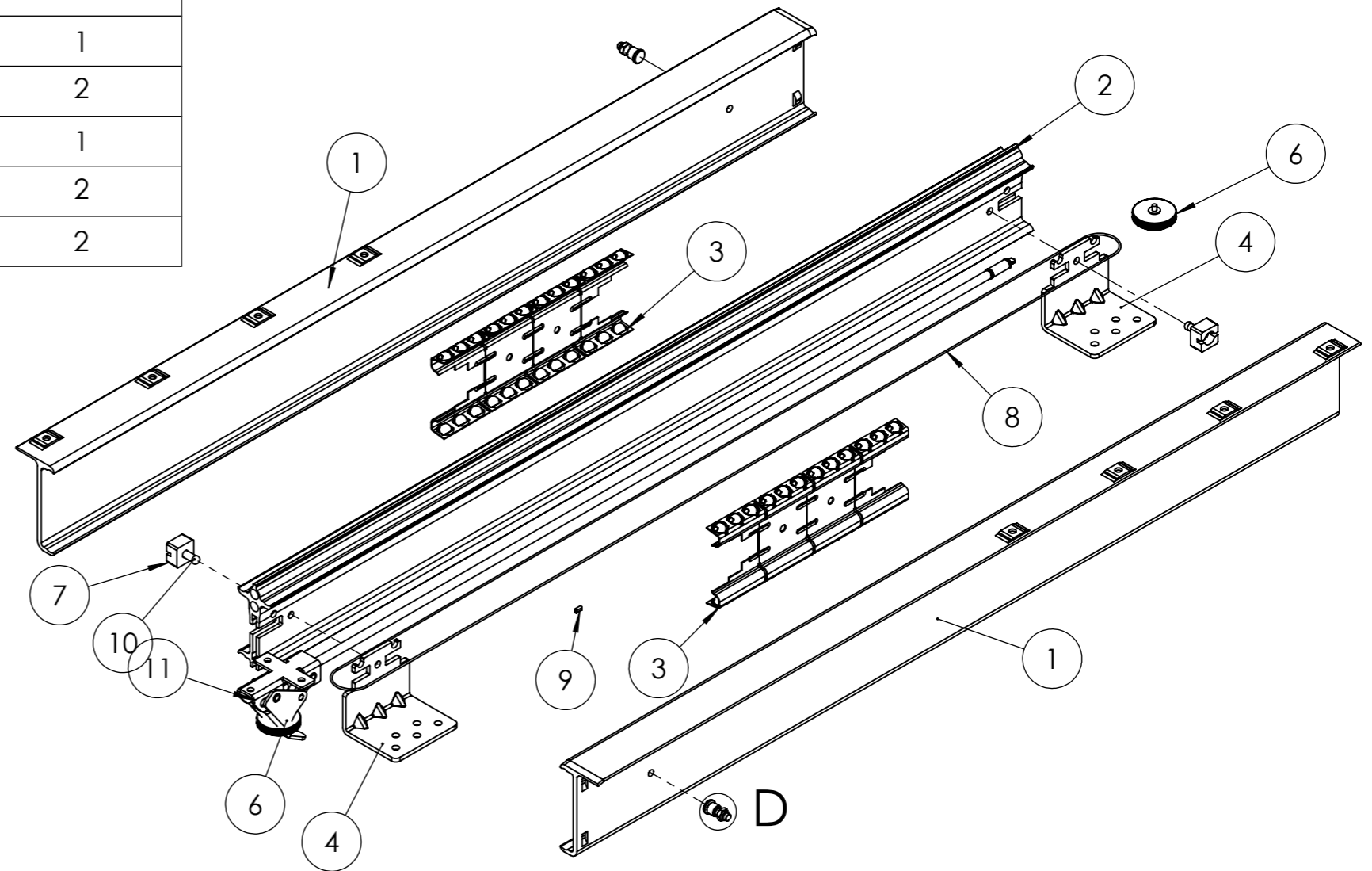


 DIN ISO 128-30	Description: A7-SCB / 720.A7 / 720.A / KK4 / Pressblank					
	Surface: Mill-Finish/Pressblank		Material: Diverse		Weight: kg	
	Name	Date	Company			
	Signed	Vandyck	14.11.2012	Q.C.A. Services		
	Tested			Second Company:		
General tolerance: DIN ISO 2768 -1		Item No:	77072706	Scale 1:4	Page 2/3	A3

POS.	Art.-Nr.	BENENNUNG	Menge x 2
1	78072603	AP-A7-S_720.A7_Typ01_4x1,5 (78072603)	2
2	78072611	MP-A7-S_720.A7	1
3	78990386	KK77_4_AS_AI-AI_Roh	2
4	22005501	Fußwinkel_54x50 BH82	2
5	15021	M5, DIN 985, selbstsichernd	2
6	15106	77-er ALU Seilrolle_Ø29,5+_E02	2
7	16053	Stop schwarz 01298	2
8	15000	Synchronseil Ø1,25x720	1
9	12001	Alu-Pressklemme	1
10	15183	Blindniet Ø5x18 Form A Flachkopf	2
11	15856	Komfort Bremse 720mm	1
12	14068	E65_2, Spannschraube - M5xØ10x19	2
13	14020	E42, Distanzhülse - Ø8xØ5,5x6	2



DETAIL D
MABSTAB 1 : 1



(GROSSE AUSSPARUNG)

<p>DIN ISO 128-30</p>	Description: A7-SCB / 720.A7 / 720.A / KK4 / Pressblank				
	Surface: Mill-Finish/Pressblank		Material: Diverse		Weight: kg
	Name	Date	Company		
	Signed Vandyck	14.11.2012	Q.C.A. Services		
Tested	Second Company:				
General tolerance: DIN ISO 2768 -1		Item No: 77072706	Scale 1:10	Page 3/3	A3

All property rights and rights to exploitation of copyright for this drawing data remain ours; they may not be made available to third parties without our consent.