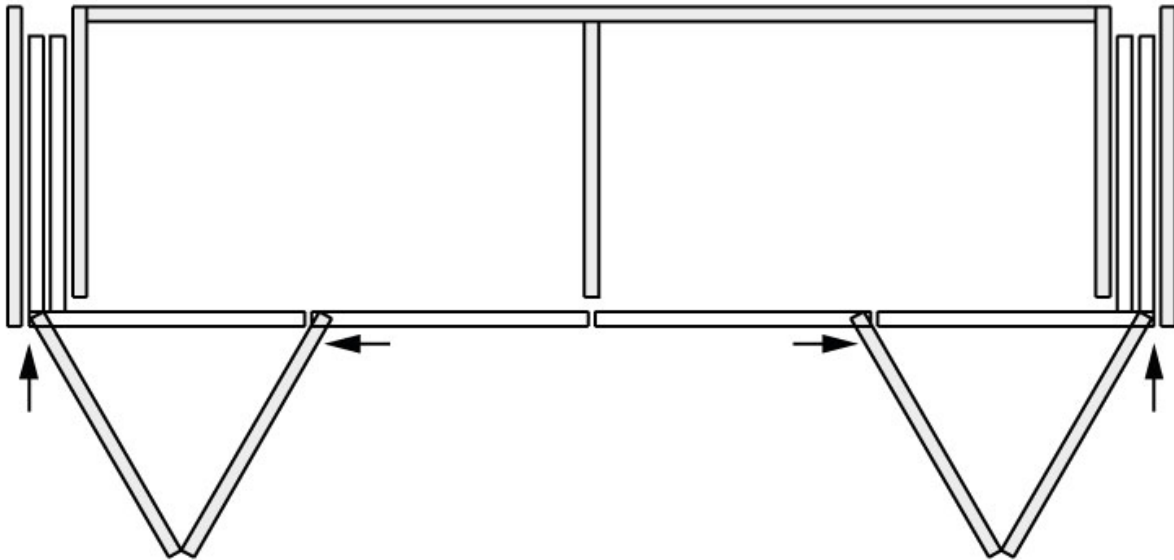


FOLDING CONCEPTA III - 4 PORTES

HAWA



<https://www.socomenal.com/ferrure-folding-concepta-iii-4-portes-p69868>



Tel : 03 88 78 96 96

Fax : 02 43 30 26 16

www.socomenal.com