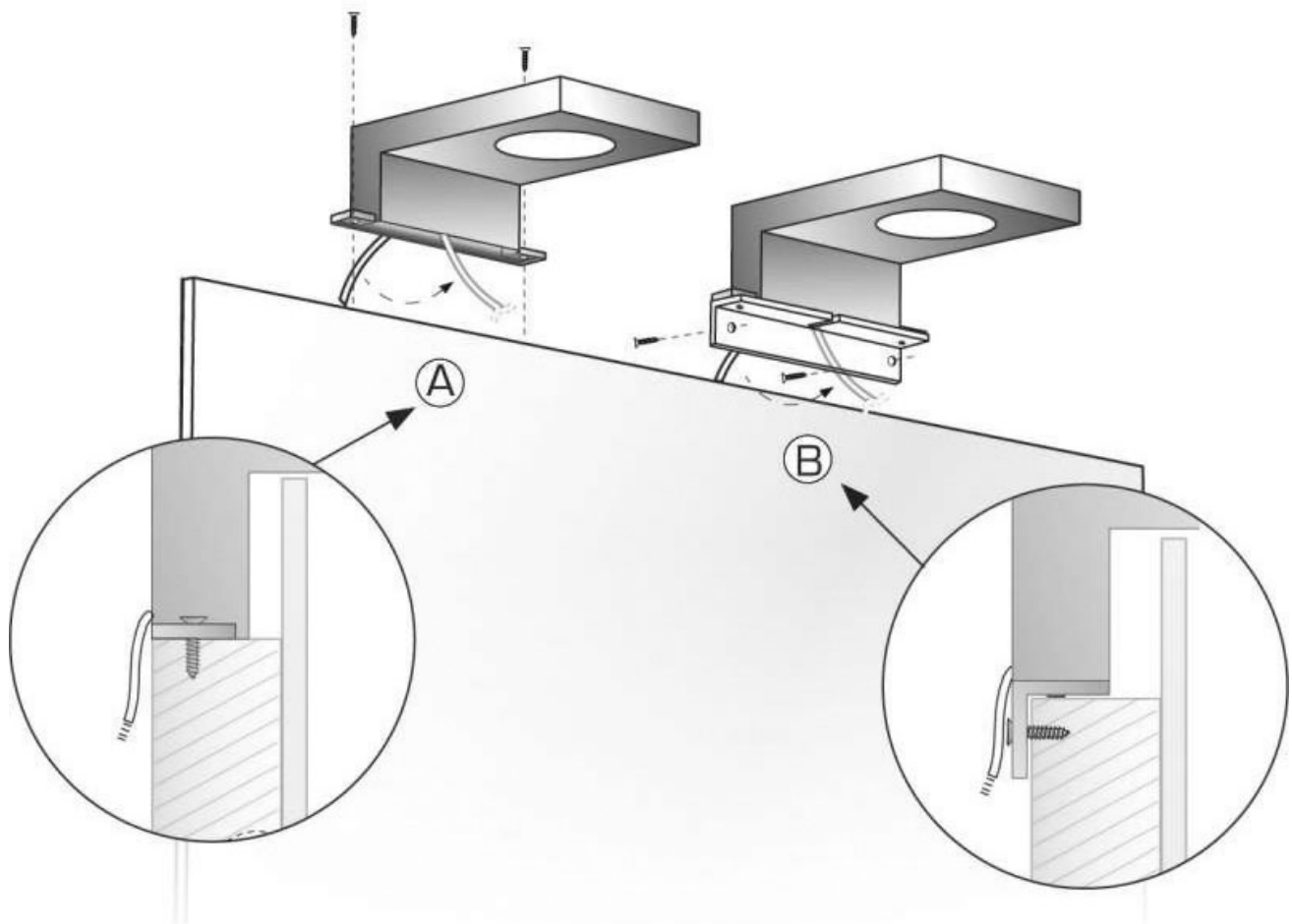


# SPOT LED MIROIR CARRÉ WINTOP

VOKIL



<http://www.socomenal.com/spot-led-miroir-carre-wintop-p56269>



Tel : 03 88 78 96 96

Fax : 02 43 30 26 16

[www.socomenal.com](http://www.socomenal.com)

# SPOT LED MIROIR CARRÉ WINTOP

VOKIL



<http://www.socomenal.com/spot-led-miroir-carre-wintop-p56269>



Tel : 03 88 78 96 96

Fax : 02 43 30 26 16

[www.socomenal.com](http://www.socomenal.com)