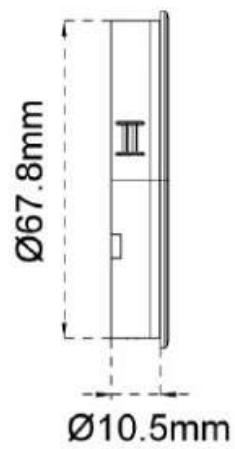
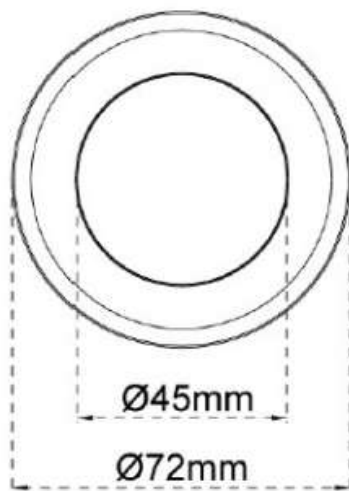
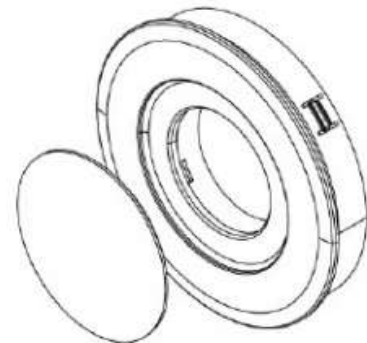
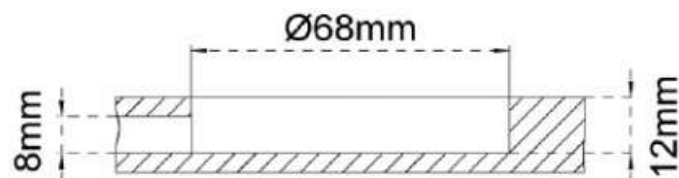


# SPOT ROND CORA 12V 2.5W ENCASTRABLE

L&S



## DRILL DIMENSION



<http://www.socomenal.com/spot-rond-cora-12v-2-5w-encastable-p69989>



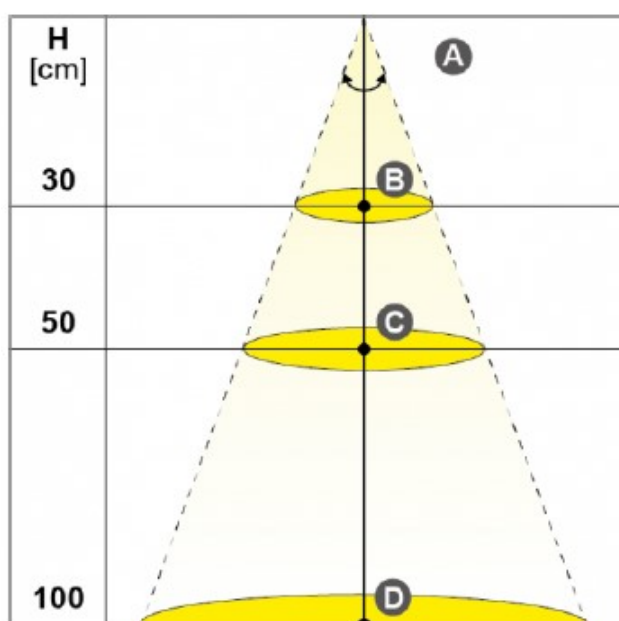
Tel : 03 88 78 96 96

Fax : 02 43 30 26 16

[www.socomenal.com](http://www.socomenal.com)

# SPOT ROND CORA 12V 2.5W ENCASTRABLE

L&S



**VERS.** 2700K - 6500K

**A°**

**B - Lux** 618 - 649

**C - Lux** 212 - 229

**D - Lux** 62 - 68

**LUMEN** 159 - 164

**LUMEN / W** 63.6 - 65.6

**CRI** >80

<http://www.socomenal.com/spot-rond-cora-12v-2-5w-encastable-p69989>



Tel : 03 88 78 96 96

Fax : 02 43 30 26 16

[www.socomenal.com](http://www.socomenal.com)